

# TSK-1000M PRO

## Fixed Mount CCD Barcode Scanner



- PERFORMANCE**

**CPU :** 32Bit  
**Scan rate :** 200 Scans per Second  
**Resolution :** 4 mil (0.1mm)  
**Illumination :** 660nm Visible Red LEDS

**Skew Angle :** ±65 Degree  
**Pitch Angle :** ±50 Degree

**Field Width :** 120mm (15mil)  
**Depth of field :** 30~230mm

**Symbologies :** UPC/EAN/JAN, Code39, Interleaved 2 of 5 Standard 2 of 5, Matrix 2 of 5, Industrial 2 of 5, Codabar, Code128, MSI, Plessey, Code93, Code 3 of 5 (Korean Postage)

- Interface :** USB, RS-232, K/W, S/USB, TTL

- MECHANICAL**

**Dimensions :** 55mm X 62mm X 29.5mm  
**Weight :** 75g  
**Body Material :** ABS Plastic

- ELECTRICAL**

**Power Supply :** 5VDC ± 5%  
**Power Consumption :** 70mA ~ 90mA

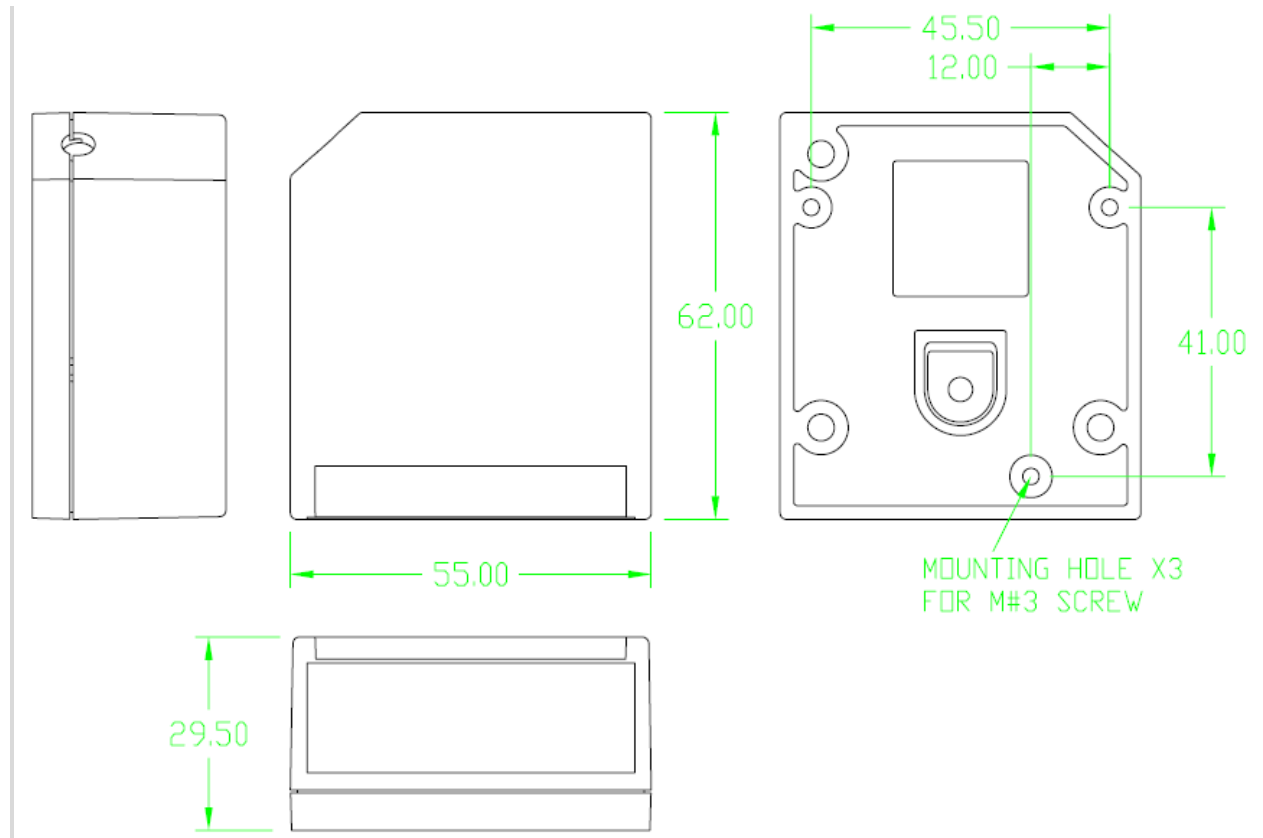
- DURABILITY**

**Trigger Switch :** 1 million Actuations  
**Shock Resistance :** 1 meter drop onto Concrete Surface  
**Cable :** 2m Straight Fixed to Scanner

- ENVIRONMENTAL**

**Temperature :** Operating : 0 ~ 50°C, Storage : -10 ~ 60°C  
**Humidity :** Operating : 10% ~ 80%, Storage : 10% ~ 95%  
**Mechanical Shock :** Functional after 1.5m (5ft) drops  
**ESD Protection :** Functional after 15kV discharge

## TSK-1000M PRO Dimensions



**TechScan**  
TECHSCAN KOREA Co.,Ltd.

#410 Woolim e-Biz centerII 4F 184-1 Guro-3Dong Guro-Gu Seoul Korea Tel : 82-2-890-5440  
Fax : 82-2-890-5443 [URL:http://www.techscan.co.kr](http://www.techscan.co.kr) **TechScan Korea Co.,Ltd.**

